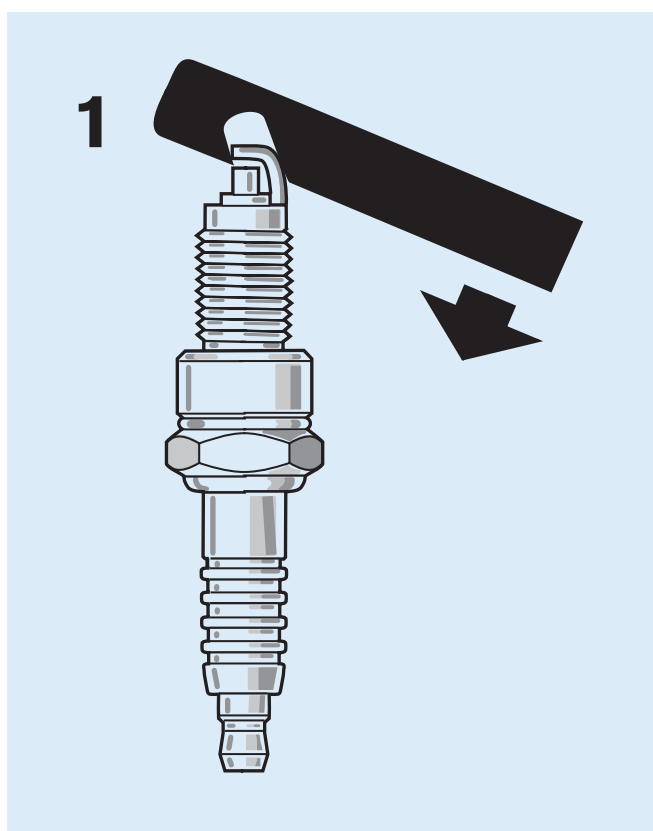


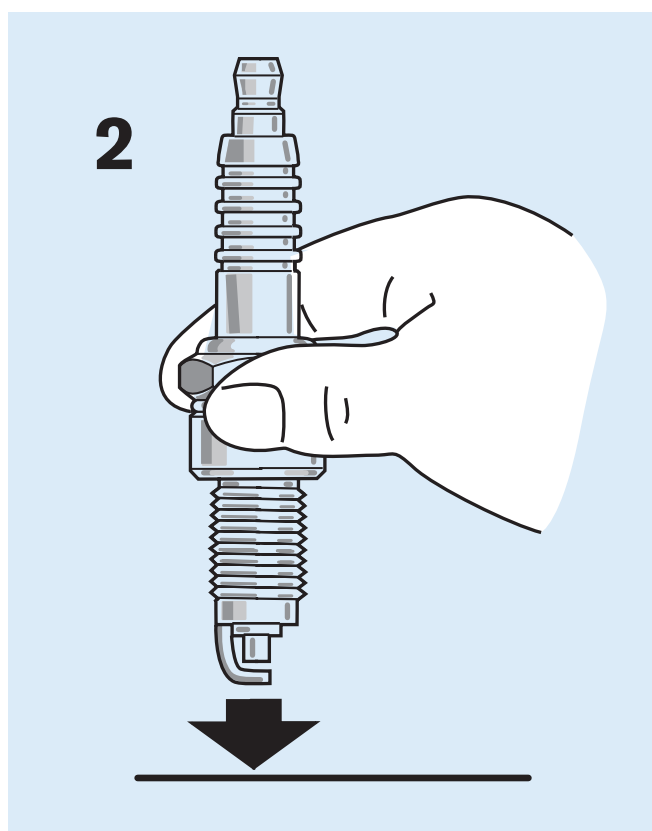
Spark Plug Gapping



BOSCH
Invented for life



Widen Electrode Gap



Close Electrode Gap